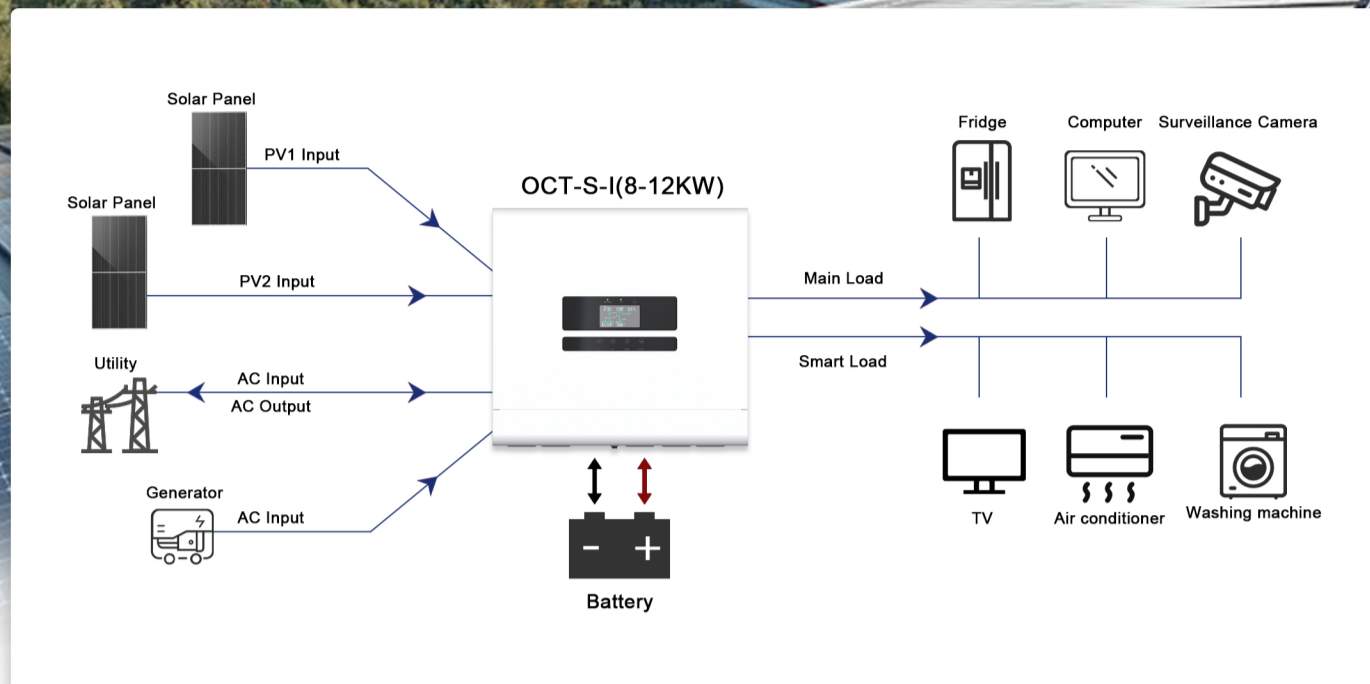


Hybrid Solar Inverter

OCT-S-I(8-12KW)

- Dual outputs for smart load management.
- Power Factor 1.0.
- Max Inverter Efficiency 96.5%.
- Paraleloperation up to 9 units.
- 1.5 times PV input power configuration.
- 2 strings of MPPT.
- 65V - 500V wide-range PV input operating voltage.
- The built-in ATS can automatically switch between generator power and mains power input.
- The working duration of the generator and the charging current can be set.



Modle	OCT-S-I-8KW	OCT-S-I-10KW	OCT-S-I-12KW
AC Output (Off Grid)			
Rated Power	8KW/8KVA	10KW/10KVA	12KW/12KVA
Surge Power	16KW/16KVA	20KW/20KVA	24KW/24KVA
Parallel Option	9Pcs		
AC Output Voltage	208/220/230/240Vac(Settable)		
Rated AC Output Frequency	50Hz / 60Hz (Auto detection)		
Max Bypass Output Current	70A	70A	70A
AC Output Interface	Load+Smart Load		
Max Inverter Efficiency	96.5% (PV/AC)		
Transfer Time	<10ms@Single,<30ms @ Parallel		
Output Waveform	Pure Sine Wave		
Power Factor	1		
No-Load Loss	<75W@Rate Voltage		
AC Output (On Grid)			
Rated Power	8KW/8KVA	10KW/10KVA	12KW/12KVA
Power Factor	0.8 leading to 0.8 lagging		
Rated Voltage	230Vac		
Rated Grid Frequency	50Hz		
Max Output Current	35A	44A	53A
THD	<5%		
PV input			
Type Of PV Array Input Terminal	Screw-type terminal block		
Number Of MPPT Trackers	2		
Max PV Input Power	6000W*2	7500W*2	9000W*2
Max PV Array Open Circuit Voltage	550Vdc		
Rated Input Voltage Of Photovoltaic System	380Vdc		
Max PV Input Current	27A*2		
Startup Voltage	65Vdc		
MPPT Voltage Range	65~500Vdc		
Battery			
Compatible Battery Types	Lithium battery, lead-acid battery		
Rated Battery Voltage	48V		
Battery Voltage Range	38.4Vdc~60Vdc		
Minimum Cold Start Battery Voltage	46Vdc		
Battery Overcharge Protection Voltage	60Vdc		
Max Solar Charging Current	190A	220A	250A
Max AC Charging Current	170A	190A	210A
Max Charging Current (PV+AC)	190A	220A	250A
Max Charging Power	8000W	10000W	12000W
MPP tracking efficiency	99.9%		
Activate The Lithium Battery Function	PV/AC		
Protection			
Over Current/Voltage Protection	Yes		
Anti-islanding Protection	Yes		
AC Short-Circuit Current Protection	Yes		
Leakage Current Protection	Yes		
Ground Fault Monitoring	Yes		
Grid Monitoring	Yes		
DC surge protection OVC II	Yes		
AC surge protection OVC III	Yes		
Mechanical Specifications			
Inverter Dimensions	467*395*135mm		
Packing Measurements	550*470*230mm		
Net Weight	17.7Kg	17.8Kg	18Kg
Gross Weight	18.7Kg	18.8Kg	19Kg
Communication Interface	USB / CAN /RS485/CT		
Monitoring Option	WiFi Module		
Quality Guarantee	3 years		
Environment			
Protection Degree	IP20		
Humidity	5%~95% relative humidity (non-condensing)		
Altitude	<2000 Meters		
Operating Temperature	-10°C~50°C		
Storage Temperature	-15°C~60°C		
Noise	<60db		
Type Of Cooling	Fan		
Certificate	CE、NRS097/EN50549-1/EN50549-10		